

The NOVASUB logo is presented in a bold, italicized, sans-serif font. The letters are black with a white outline, set against a solid orange rectangular background. The background of the entire image is a blurred photograph of a diver's air panel, showing various gauges and control knobs.

**NOVASUB**

The BOREAS product name is written in a large, bold, white, sans-serif font. Below it, the product description 'Diver Air Panels & Cases' is written in a smaller, bold, white, sans-serif font. The background is a blurred image of a diver's air panel, featuring a prominent yellow-rimmed gauge with a white face and red markings, and an orange-rimmed gauge below it. The text is positioned in the lower right quadrant of the image.

**BOREAS**  
**Diver Air Panels & Cases**

## DP-xDxHxL Diving Air Panels

### BOREAS | Solid and Ruggedized Diver Air Panels up to 3 divers.

The BOREAS series are diver air panels in different sizes, designs, and configurations. They are solid and ruggedized and can be configured up to 3 divers. The panels are fitted with diver depth gauges, low and high-pressure inputs, gauges, and durable needle and ball valves. Almost all panels are IMCA compliant.

All piping and fittings are stainless steel, and the needle and ball valves are brass. The diver depth gauges are both with MSW and FSW scale with mirror for precision depth readings. All panels are executed with a low-pressure gas alarm. The panel is made of sublimated aluminum with a clean layout of lines and text and a gas flow from left to right. The diver depth gauges can be replaced with Digital Depth Gauges, which can monitor and log your dive. The panels can be built in different sizes and designs:

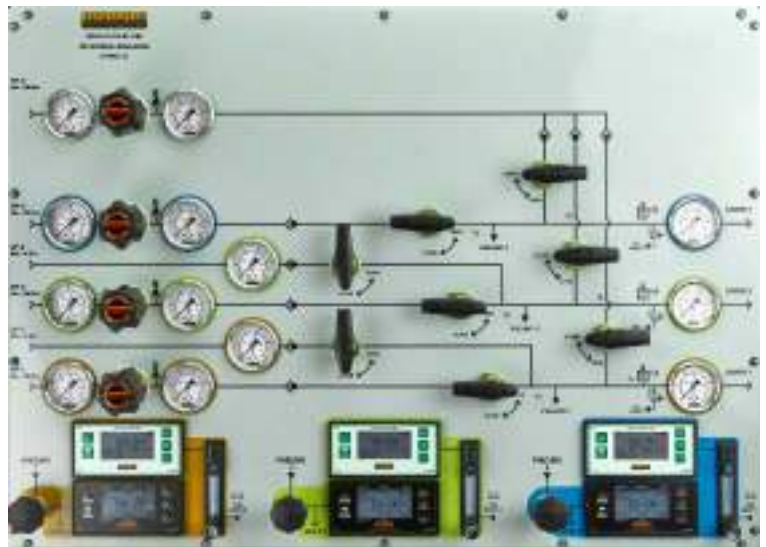
Panel size	Design	Series
550 x 550	Case or Wall	<i>BOREAS-C</i> or <i>BOREAS-W</i>
520 x 750	Case or Wall	<i>BOREAS-C</i> or <i>BOREAS-W</i>
695 x 970	Rack or Wall	<i>BOREAS-R</i> or <i>BOREAS-W</i>

The Case and Wall designs are standard supplied with JIC and DIN Couplings. These can be changed to client specifications. Please contact us if you need a custom configuration.

The BOREAS series are diver air panels in different sizes, designs, and configurations.



BOREAS-C2 ( case )



BOREAS-R1 ( rack mount panel )

#### Configurations :

- BOREAS-C1
- BOREAS-C2
- BOREAS-C3
- BOREAS-C4
- BOREAS-C12
- BOREAS-W3
- BOREAS-W1
- BOREAS-R1

#### Features:

- According IMCA regulations
- HP and LP input
- Low-pressure alarm

#### Applications:

- Commercial Diving

website link : <https://www.novasub.com/product-categorie/diver-gas-panels/>

product video : <https://www.youtube.com/channel/UCRqqqmJy8O7XEabp7S1rpQ>

## DP-xDxHxL Diving Air Panel | Specifications Overview

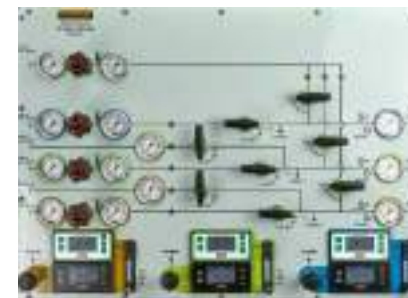
Name	BOREAS-C1	BOREAS-C2	BOREAS-C3	BOREAS-C4	BOREAS-C12	BOREAS-W3	BOREAS-W1	BOREAS-R1
SKU code	DP-2D2H1L-C4	DP-2D2H1L-C2	DP-2D2H1L-C3	DP-2D2H1L-C3C	DP-3D3H1L-C1	DP-2D2H1L-W3	DP-3D4H2LC	DP-3D4H2L
Divers	2	2	2	2	3	2	3	3
HP input	2	3	2	2	3	2	4	4
LP input	-	-	1	1	1	1	2	2
Crossing	D1 to D2	-	-	D1 to D2	-	-	D1 to D2 to D3	-
4" Gauge	-	-	-	-	-	-	-	-
6" Gauge	2	2	2	2	3	2	-	-
DDG	-	-	-	-	-	-	3	3
DDA	-	-	-	-	-	-	3	3
IMCA compliant	No	Yes	Yes	Yes	Yes	Yes	Yes	Yes
Panel size	550 x 550 mm	550 x 550 mm	550 x 550 mm	550 x 550 mm	520 x 750 mm	550 x 550 mm	695x970	695x970
Design	Case	Case	Case	Case	Case	Wall	Wall	Rack
Height	648 mm	648 mm	648 mm	648 mm	559 mm	556 mm	701 mm	695 mm
Width	648 mm	648 mm	648 mm	648 mm	787 mm	636 mm	1056 mm	970 mm
Depth	346 mm	346 mm	346 mm	346 mm	502 mm	263 mm	233 mm	300 mm
Weight	28 kg	32 kg	30 kg	30 kg	63 kg	36 kg	60 kg	19 kg



**BOREAS-C series**  
Cases



**BOREAS-W series**  
Wall Mount



**BOREAS-R series**  
19" Rack Mount Panels

## DP-2D2H-C4 Diving Air Panel C1

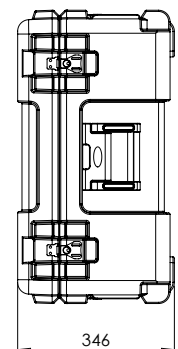
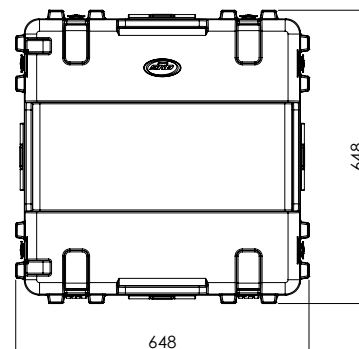
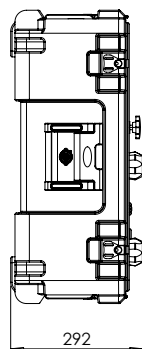
### BOREAS-C1 | Diver Air Panel in ruggedized case up to 2 Divers.

The BOREAS-C1 is a simple but effective diving panel built in a ruggedized case. It supports 2 divers that each have a high-pressure input. It also has a crossing valve so that each diver can use both high-pressure inputs. Depth monitoring can be done with two 6" gauges. The panel also has a low-pressure alarm that will sound when the diver's pressure is too low. Both divers have a separate sample point that is already set at 1.5 bar and 1 L/min. The airflow is tightly controlled with stainless steel check valves to prevent any unwanted airflow direction.



### Specifications:

SKU code	DP-2D2H-C4
Divers	2
HP input	2
LP input	-
Crossing	D1 to D2
6" Gauge	2
Panel size	550 x 550 mm
Design	Case
Height	648 mm
Width	648 mm
Depth	346 mm
Weight	28 kg



website link : <https://www.novasub.com/product/boreas-c1-portable-2-divers-2-hp-air-panel/>  
 product video : <https://www.youtube.com/channel/UCRqqqmJy8O7XEabp7S1rpQ>

## DP-2D3H-C2 Diving Air Panel C2

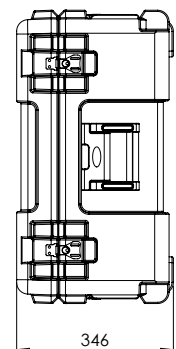
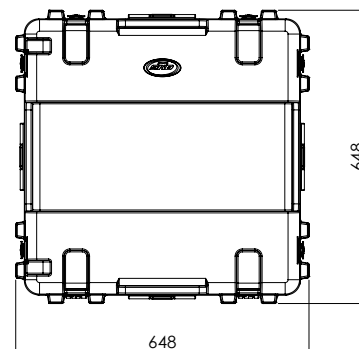
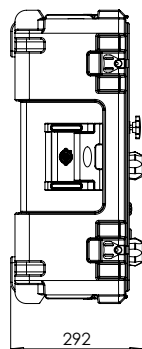
### BOREAS-C2 | Diver Air Panel in ruggedized case up to 2 Divers.

The BOREAS-C2 is an **IMCA compliant** dive panel built in a ruggedized case. It supports 2 divers that each have an independent high-pressure input. A third high-pressure input is a shared backup for both divers. Depth monitoring can be done with two 6" gauges. The panel also has a low-pressure alarm that will sound when the diver's pressure is too low. Both divers have a separate sample point that is already set at 1.5 bar and 1 L/min. The airflow is tightly controlled with stainless steel check valves to prevent any unwanted airflow direction.



### Specifications:

SKU code	DP-2D3H-C2
Divers	2
HP input	2
LP input	1
Crossing	-
6" Gauge	2
Panel size	550 x 550 mm
Design	Case
Height	648 mm
Width	648 mm
Depth	346 mm
Weight	32 kg



website link : <https://www.novasub.com/product/boreas-c2-portable-2-divers-3-hp-air-panel/>  
 product video : <https://www.youtube.com/channel/UCRqqqmJy8O7XEabp7S1rpQ>

## DP-2D2H1L-C3 Diving Air Panel C3

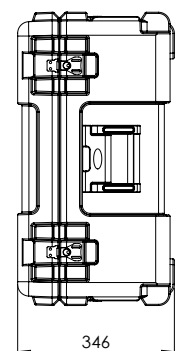
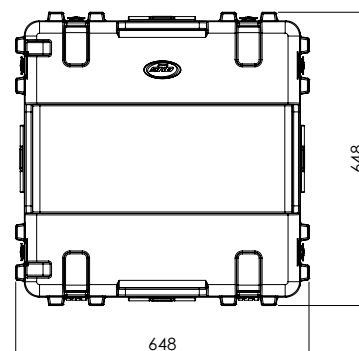
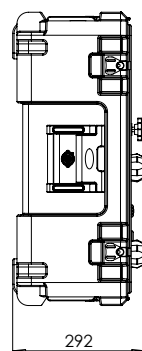
### BOREAS-C3 | Diver Air Panel in ruggedized case up to 2 Divers.

The BOREAS-C3 is an **IMCA compliant** dive panel built in a ruggedized case. It supports 2 divers that each have an independent high-pressure input. A low-pressure input is a shared backup for both divers. Depth monitoring can be done with two 6" gauges. The panel also has a low-pressure alarm that will sound when the diver's pressure is too low. Both divers have a separate sample point that is already set at 1.5 bar and 1 L/min. The airflow is tightly controlled with stainless steel check valves to prevent any unwanted airflow direction.



### Specifications:

SKU code	DP-2D2H1L-C3
Divers	2
HP input	2
LP input	1
Crossing	-
6" Gauge	2
Panel size	550 x 550 mm
Design	Case
Height	648 mm
Width	648 mm
Depth	346 mm
Weight	30 kg



website link : <https://www.novasub.com/product/boreas-c3-portable-2-divers-2-hp-1-lp-air-panel/>  
 product video : <https://www.youtube.com/channel/UCRqqqmJy8O7XEabp7S1rpQ>

## DP-2D2H1L-C3C Diving Air Panel C4

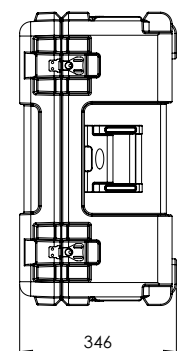
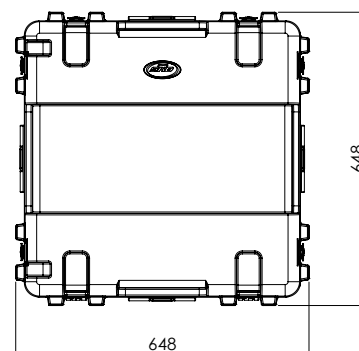
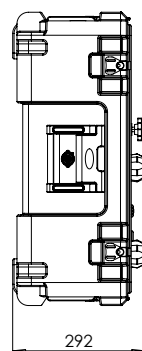
### BOREAS-C4 | Diver Air Panel in ruggedized case up to 2 Divers.

The BOREAS-C4 is an **IMCA compliant** dive panel built in a ruggedized case. It supports 2 divers that each have an independent high-pressure input. A low-pressure input is a shared backup for both divers. The panel also has crossing between diver 1 and diver 2. Depth monitoring can be done with two 6" gauges. The panel also has a low-pressure alarm that will sound when the diver's pressure is too low. Both divers have a separate sample point that is already set at 1.5 bar and 1 L/min. The airflow is tightly controlled with stainless steel check valves to prevent any unwanted airflow direction.



### Specifications:

SKU code	DP-2D2H1L-C3C
Divers	2
HP input	2
LP input	1
Crossing	D1 to D2
6" Gauge	2
Panel size	550 x 550 mm
Design	Case
Height	648 mm
Width	648 mm
Depth	346 mm
Weight	30 kg



website link : <https://www.novasub.com/product-categorie/diver-gas-panels/>

product video : <https://www.youtube.com/channel/UCRqqqmJy8O7XEabp7S1rpQ>

## DP-3D3H1L-C1 Diving Air Panel C12

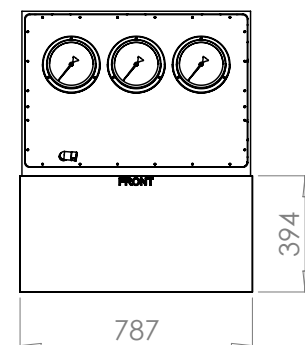
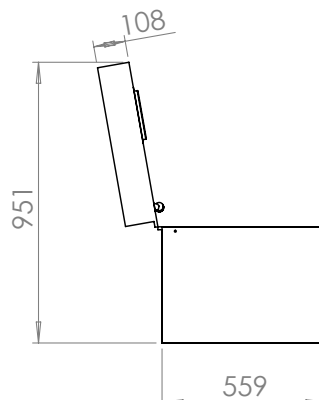
### BOREAS-C12 | Diver Air Panel in ruggedized case up to 3 Divers

The BOREAS-C12 is an **IMCA compliant** dive panel built in a ruggedized case. It supports 3 divers that each have an independent high-pressure input. A low-pressure input is a shared backup for all divers. Depth monitoring can be done with three 6" gauges located in the lid. The panel also has a low-pressure alarm that will sound when the diver's pressure is too low. All divers have a separate sample point that is already set at 1.5 bar and 1 L/min. The airflow is tightly controlled with stainless steel check valves to prevent any unwanted airflow direction.



#### Specifications:

SKU code	DP-3D3H1L-C1
Divers	3
HP input	3
LP input	1
Crossing	-
6" Gauge	3
Panel size	520 x 750 mm
Design	Case
Height	559 mm
Width	787 mm
Depth	502 mm
Weight	63 kg



website link : <https://www.novasub.com/product-categorie/diver-gas-panels/>

product video : <https://www.youtube.com/channel/UCRqqqmJy8O7XEabp7S1rpQ>



**DP-3D3H1L-C1 Diving Air Panel C12**

website link : <https://www.novasub.com/product-categorie/diver-gas-panels/>

product video : <https://www.youtube.com/channel/UCRqqqmJy8O7XEabp7S1rpQ>

## DP-2D2H1L-W3 Diving Air Panel W3

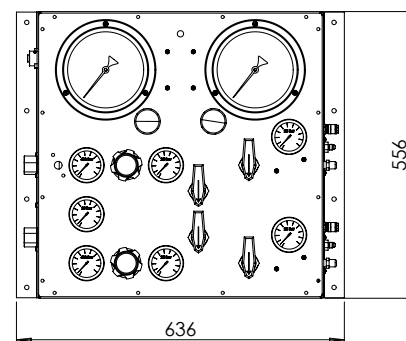
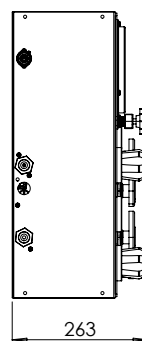
### BOREAS-W3 | Diver Air Panel for wall mount up to 2 Divers.

The BOREAS-W3 is an **IMCA compliant** dive panel built in an aluminum housing attached to a wall. It supports 2 divers that each have an independent high-pressure input. A low-pressure input a shared backup for both divers. Depth monitoring can be done with two 6" gauges. The panel also has a low-pressure alarm that will sound when the diver's pressure is too low. Both divers have a separate sample point that is already set at 1.5 bar and 1 L/min. The airflow is tightly controlled with stainless steel check valves to prevent any unwanted airflow direction.



### Specifications:

SKU code	DP-2D2H1L-W3
Divers	2
HP input	2
LP input	1
Crossing	-
6" Gauge	2
Panel size	550 x 550 mm
Design	Wall
Height	556 mm
Width	636 mm
Depth	263 mm
Weight	36 kg



website link : <https://www.novasub.com/product/boreas-w3-wallmount-2-divers-2-hp-1-lp-air-panel/>

product video : <https://www.youtube.com/channel/UCRqqqmJy8O7XEabp7S1rpQ>

## DP-3D4H2LC-W1 Diving Air Panel W1

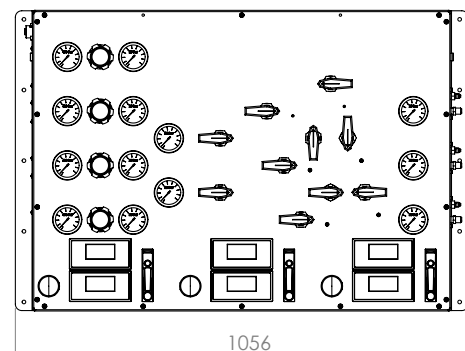
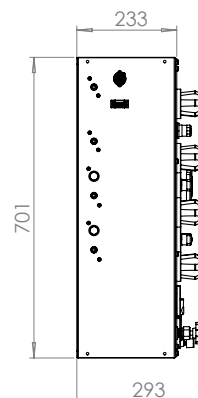
### BOREAS-W1 | Diver Air Panel for wall mount up to 3 Divers.

The BOREAS-W1 is an **IMCA compliant** dive panel built in an aluminum housing attached to a wall. It supports 3 divers that each have an independent high-pressure input. An extra high-pressure input is a shared backup for all divers. Diver 1 and 2 also have a independent low-pressure backup. Depth monitoring can be done with three Digital Depth Gauges (DDG). The air quality to the diver can be monitored with three Diver Gas Analyzers (DGA). The panel also has a low-pressure alarm that will sound when the diver's pressure is too low. The airflow is tightly controlled with stainless steel check valves to prevent any unwanted airflow direction.

Depth monitoring can be done with two 6" gauges. The panel also has a low-pressure alarm that will sound when the diver's pressure is too low.

### Specifications:

SKU code	DP-3D4H2LC-W1
Divers	3
HP input	4
LP input	2
Crossing	D1 to D2 to D3
DDG	3
DGA	3
Panel size	695 x 970 mm
Design	Wall
Height	701 mm
Width	1056 mm
Depth	233 mm
Weight	60 kg



website link : <https://www.novasub.com/product/boreas-w3-wallmount-2-divers-2-hp-1-lp-air-panel/>

product video : <https://www.youtube.com/channel/UCRqqqmJy8O7XEabp7S1rpQ>



# BOREAS-W1

**DP-3D4H2LC-W1** Diving Air Panel W1

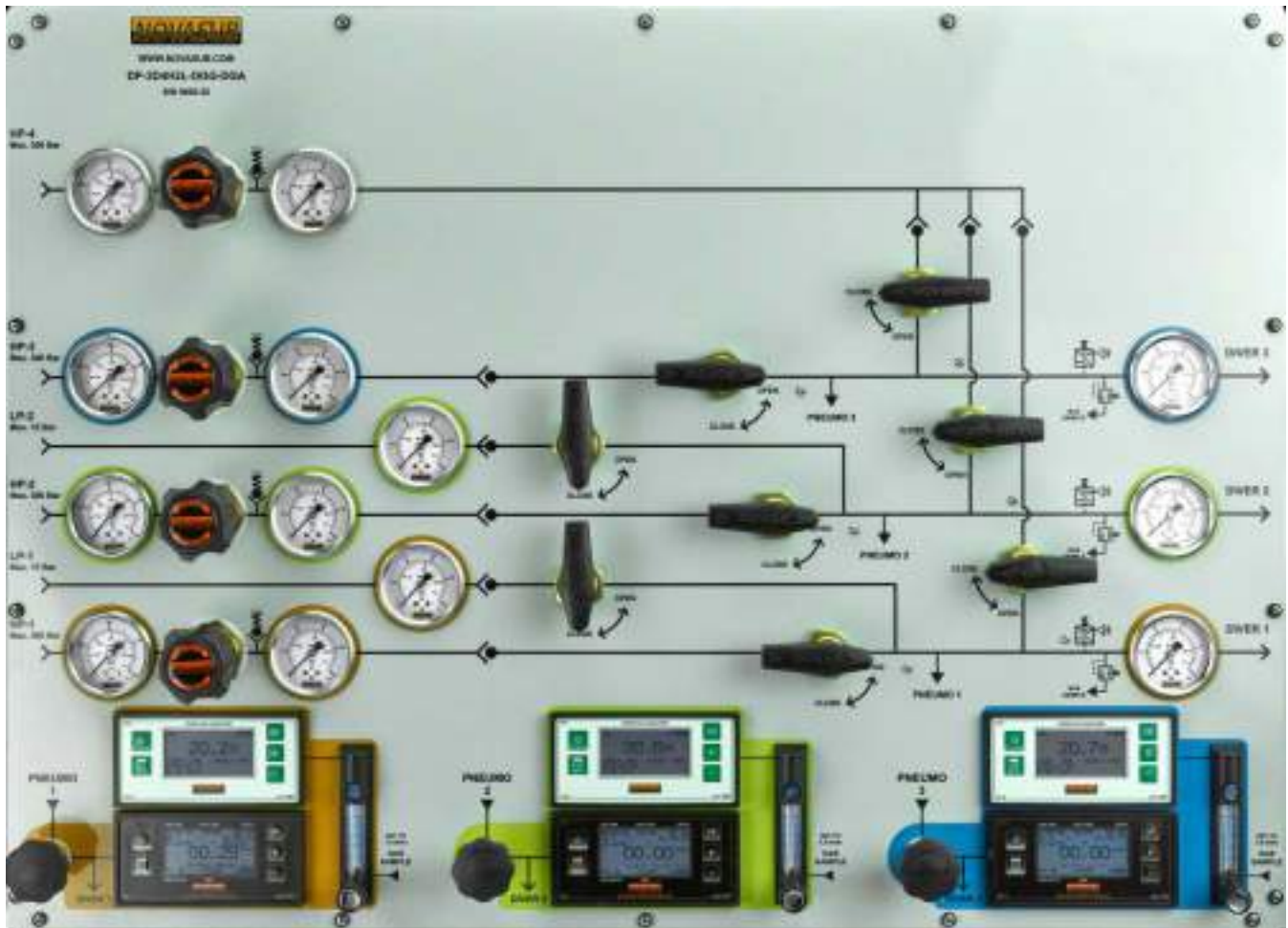
---

website link : <https://www.novasub.com/product/boreas-w3-wallmount-2-divers-2-hp-1-lp-air-panel/>  
product video : <https://www.youtube.com/channel/UCRqqqmJy8O7XEabp7S1rpQ>

## DP-3D4H2L Diving Air Panel R1

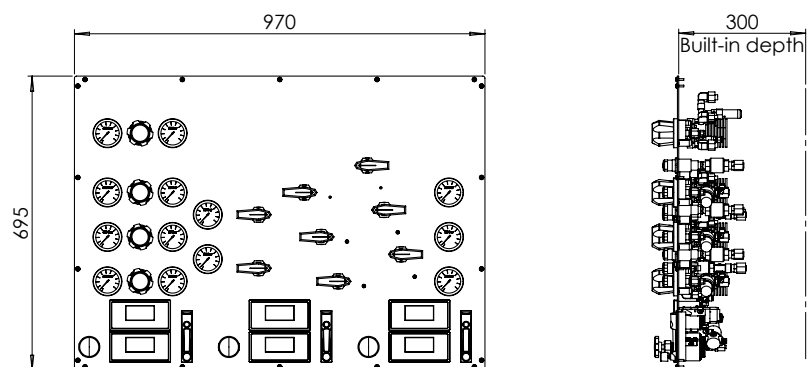
### BOREAS-R1 | Diver Air 19" Rack Mount up to 3 Divers.

The BOREAS-R1 is an **IMCA compliant** dive panel built as a loose panel. This panel is used in the PROTEUS-W1. It supports 3 divers that each have an independent high-pressure input. A extra high-pressure input is a shared backup for the 3 dives. Diver 1 and 2 also have a independent low-pressure backup. Depth monitoring can be done with three Digital Depth Gauges (DDG). The air quality to the diver can be monitored with three Diver Gas Analyzers (DGA). The panel also has a low-pressure alarm that will sound when the diver's pressure is too low. The airflow is tightly controlled with stainless steel check valves to prevent any unwanted airflow direction.



#### Specifications:

SKU code	DP-3D4H2L
Divers	3
HP input	4
LP input	2
Crossing	-
6" Gauge	-
DDG	2
DDA	2
Panel size	695 x 970 mm
Design	19" Rack
Height	695 mm
Width	970 mm
Depth	300 mm
Weight	19 kg



website link : <https://www.novasub.com/product/boreas-r1-panelmount-3-divers-4-hp-2-lp-air-panel/>

product video : <https://www.youtube.com/channel/UCRqqqmJy8O7XEabp7S1rpQ>

## DP-xDxHxL Diving Air Panel BOREAS-R1 incorporated in PROTEUS-W1



**BOREAS-R1**  
*dive panel*

**THALLASA-R2**  
*touchscreen monitor*



**THALLASA-R2**  
*touchscreen monitor*



*spare 3U*

*spare 1U*

**KRATOS-R1**  
*video & light control*

**THALLASA-R1**  
*diver video recorder*

**THETIS-R1**  
*diver radio*

**VHF Radio**

*DVR USB + custom connectors*



*K400 Wireless Keyboard*



## DP-xDxHxL Diving Air Panel | General Specifications

System	Description	Type / Parts
<b>Control</b>		
Open/Close	Selection	2-way ball valve
	Crossing	2-way ball valve
	Pneumo	Needle valve
Regulation	HP to LP Reducer	Reducer 0-300 / 0-17 bar
	Flow Rate	2500 lpm at 50 Bar input & 15 Bar output
Safety	Low pressure relief valve	16 bar
	Check valves	
<b>Monitoring</b>		
Diver	LP pressure	2 ½" gauge 0-25 bar cl 1.6
	Depth	4" gauge 0-70 MSW & 0-230 FSW cl 0.25
		6" gauge 0-60 MSW & 0-200 FSW cl 0.25
Inlet	HP pressure	2 ½" gauge 0-400 bar cl 1.6
	LP pressure	2 ½" gauge 0-25 bar cl 1.6
Audio Alarm	Low pressure diver air supply, set to 5.5 bar	Battery powered, minimal runtime 72 hours
<b>Connectors</b>		
Recharge Alarm	CCA3GS	Supplied with adapter 100-240 VAC to 12 VDC
<b>Working Temperature</b>		
Environment	-10°C to 50°C	
<b>Materials</b>		
Case	HDPE	
Plate	Epoxy coated Aluminium	
Reducer	Brass	
Gauges	Stainless Steels & Safety Glass	
Valves	Brass / Stainless Steel	
Fittings	Brass / Stainless Steel	
Piping	Stainless Steel	
Manifolds	Brass	
<b>Inlets</b>		<b>Rack</b>
HP inlet	1/4" NPT, standard supplied with DIN G5/8" 300 bar	8L Compression pipe fitting
LP inlet	1/2" NPT, max 15 bar	12L /15L Compression pipe fitting
<b>Outlets</b>		<b>Rack</b>
Diver Air Supply	1/4" NPT, standard supplied with JIC06 Coupling	12L Compression pipe fitting
Diver Pneumo	1/4" NPT, standard supplied with JIC04 Coupling	8L Compression pipe fitting
Gas Sample	MIGNON D5, set to 1.5L/min @ 1 bar	

**NOVASUB** Available products that can be used in combination with BOREAS :

**THALLASA-C1****VIDEO RECORDER****THETIS-C1****DIVER RADIOS****TRITON-C1****DIVER COMMUNICATION & VIDEO RECORDER****ARGOS****CAMERAS****HELIOS****LIGHTS****UDS****Depth Sensor****DUx****UMBILICALS**