



NOVASUB



BOREAS
Diver Air Panels & Cases

DP-xDxHxL Diving Air Panels

BOREAS | Solid and Ruggedized Diver Air Panels up to 3 divers.

The BOREAS series are diver air panels in different sizes, designs, and configurations. They are solid and ruggedized and can be configured up to 3 divers. The panels are fitted with diver depth gauges, low and high-pressure inputs, gauges, and durable needle and ball valves. Almost all panels are IMCA compliant.

All piping and fittings are stainless steel, and the needle and ball valves are brass. The diver depth gauges are both with MSW and FSW scale with mirror for precision depth readings. All panels are executed with a low-pressure gas alarm. The panel is made of sublimated aluminum with a clean layout of lines and text and a gas flow from left to right. The diver depth gauges can be replaced with Digital Depth Gauges, which can monitor and log your dive. The panels can be built in different sizes and designs:

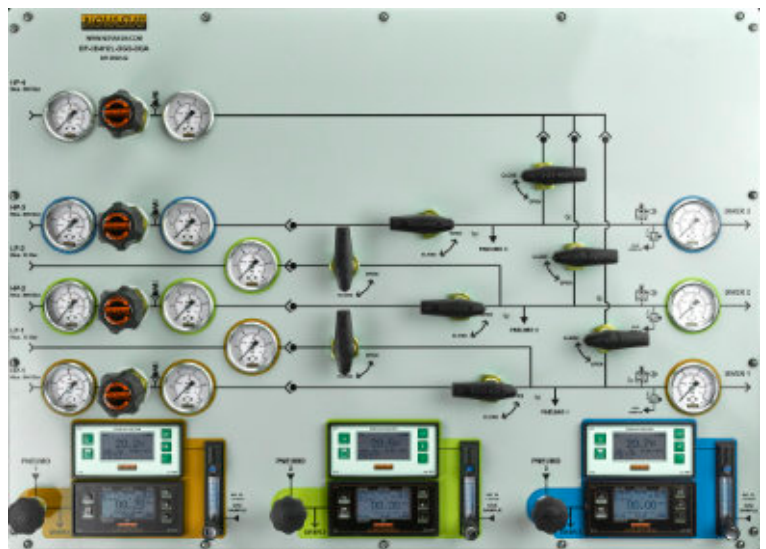
| Panel size | Design | Series |
|------------|--------------|------------------------------------|
| 550 x 550 | Case or Wall | <i>BOREAS-C</i> or <i>BOREAS-W</i> |
| 520 x 750 | Case or Wall | <i>BOREAS-C</i> or <i>BOREAS-W</i> |
| 695 x 970 | Rack or Wall | <i>BOREAS-R</i> or <i>BOREAS-W</i> |

The Case and Wall designs are standard supplied with JIC and DIN Couplings. These can be changed to client specifications. Please contact us if you need a custom configuration.

The BOREAS series are diver air panels in different sizes, designs, and configurations.



BOREAS-C2 (case)



BOREAS-R1 (rack mount panel)

Configurations :

- BOREAS-C1
- BOREAS-C2
- BOREAS-C3
- BOREAS-C4
- BOREAS-C12
- BOREAS-W3
- BOREAS-W1
- BOREAS-R1

Features:

- According IMCA regulations
- HP and LP input
- Low-pressure alarm

Applications:

- Commercial Diving

website link : <https://www.novasub.com/product-categorie/diver-gas-panels/>

product video : <https://www.youtube.com/channel/UCRqqqmJy8O7XEabp7S1rpQ>

DP-xDxHxL Diving Air Panel | Specifications Overview

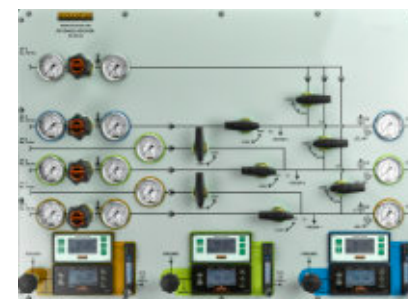
| Name | BOREAS-C1 | BOREAS-C2 | BOREAS-C3 | BOREAS-C4 | BOREAS-C12 | BOREAS-W3 | BOREAS-W1 | BOREAS-R1 |
|----------------|--------------|--------------|--------------|---------------|--------------|--------------|--------------|-----------|
| SKU code | DP-2D2H1L-C4 | DP-2D2H1L-C2 | DP-2D2H1L-C3 | DP-2D2H1L-C3C | DP-3D3H1L-C1 | DP-2D2H1L-W3 | DP-3D4H2LC | DP-3D4H2L |
| Divers | 2 | 2 | 2 | 2 | 3 | 2 | 3 | 3 |
| HP input | 2 | 3 | 2 | 2 | 3 | 2 | 4 | 4 |
| LP input | - | - | 1 | 1 | 1 | 1 | 2 | 2 |
| Crossing | D1 ⇌ D2 | - | - | D1 ⇌ D2 | - | - | D1 ⇌ D2 ⇌ D3 | - |
| 4" Gauge | - | - | - | - | - | - | - | - |
| 6" Gauge | 2 | 2 | 2 | 2 | 3 | 2 | - | - |
| DDG | - | - | - | - | - | - | 3 | 3 |
| DDA | - | - | - | - | - | - | 3 | 3 |
| IMCA compliant | No | Yes | Yes | Yes | Yes | Yes | Yes | Yes |
| Panel size | 550 x 550 mm | 550 x 550 mm | 550 x 550 mm | 550 x 550 mm | 520 x 750 mm | 550 x 550 mm | 695x970 | 695x970 |
| Design | Case | Case | Case | Case | Case | Wall | Wall | Rack |
| Height | 648 mm | 648 mm | 648 mm | 648 mm | 559 mm | 556 mm | 701 mm | 695 mm |
| Width | 648 mm | 648 mm | 648 mm | 648 mm | 787 mm | 636 mm | 1056 mm | 970 mm |
| Depth | 346 mm | 346 mm | 346 mm | 346 mm | 502 mm | 263 mm | 233 mm | 300 mm |
| Weight | 28 kg | 32 kg | 30 kg | 30 kg | 63 kg | 36 kg | 60 kg | 19 kg |



BOREAS-C series
Cases



BOREAS-W series
Wall Mount



BOREAS-R series
19" Rack Mount Panels

DP-2D2H-C4 Diving Air Panel C1

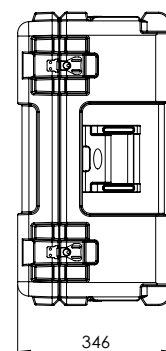
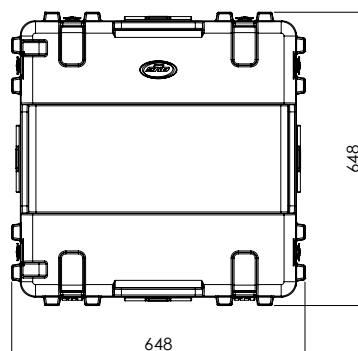
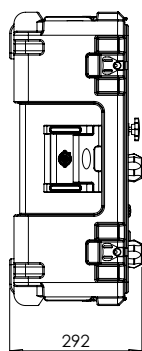
BOREAS-C1 | Diver Air Panel in ruggedized case up to 2 Divers.

The BOREAS-C1 is a simple but effective diving panel built in a ruggedized case. It supports 2 divers that each have a high-pressure input. It also has a crossing valve so that each diver can use both high-pressure inputs. Depth monitoring can be done with two 6" gauges. The panel also has a low-pressure alarm that will sound when the diver's pressure is too low. Both divers have a separate sample point that is already set at 1.5 bar and 1 L/min. The airflow is tightly controlled with stainless steel check valves to prevent any unwanted airflow direction.



Specifications:

| | |
|------------|--------------|
| SKU code | DP-2D2H-C4 |
| Divers | 2 |
| HP input | 2 |
| LP input | - |
| Crossing | D1 ⇌ D2 |
| 6" Gauge | 2 |
| Panel size | 550 x 550 mm |
| Design | Case |
| Height | 648 mm |
| Width | 648 mm |
| Depth | 346 mm |
| Weight | 28 kg |



website link : <https://www.novasub.com/product/boreas-c1-portable-2-divers-2-hp-air-panel/>
 product video : <https://www.youtube.com/channel/UCRqqqmJy8O7XEabp7S1rpQ>

DP-2D3H-C2 Diving Air Panel C2

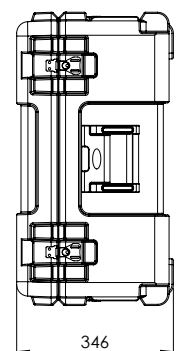
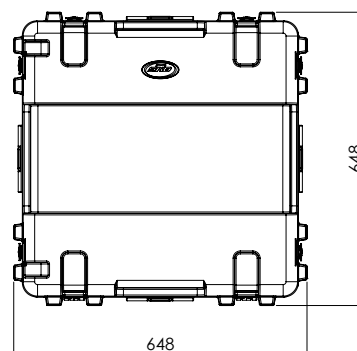
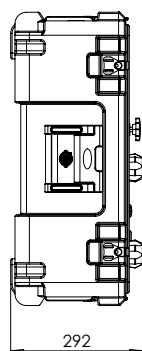
BOREAS-C2 | Diver Air Panel in ruggedized case up to 2 Divers.

The BOREAS-C2 is an **IMCA compliant** dive panel built in a ruggedized case. It supports 2 divers that each have an independent high-pressure input. A third high-pressure input is a shared backup for both divers. Depth monitoring can be done with two 6" gauges. The panel also has a low-pressure alarm that will sound when the diver's pressure is too low. Both divers have a separate sample point that is already set at 1.5 bar and 1 L/min. The airflow is tightly controlled with stainless steel check valves to prevent any unwanted airflow direction.



Specifications:

| | |
|------------|--------------|
| SKU code | DP-2D3H-C2 |
| Divers | 2 |
| HP input | 2 |
| LP input | 1 |
| Crossing | - |
| 6" Gauge | 2 |
| Panel size | 550 x 550 mm |
| Design | Case |
| Height | 648 mm |
| Width | 648 mm |
| Depth | 346 mm |
| Weight | 32 kg |



website link : <https://www.novasub.com/product/boreas-c2-portable-2-divers-3-hp-air-panel/>
 product video : <https://www.youtube.com/channel/UCRqqqmJy8O7XEabp7S1rpQ>

DP-2D2H1L-C3 Diving Air Panel C3

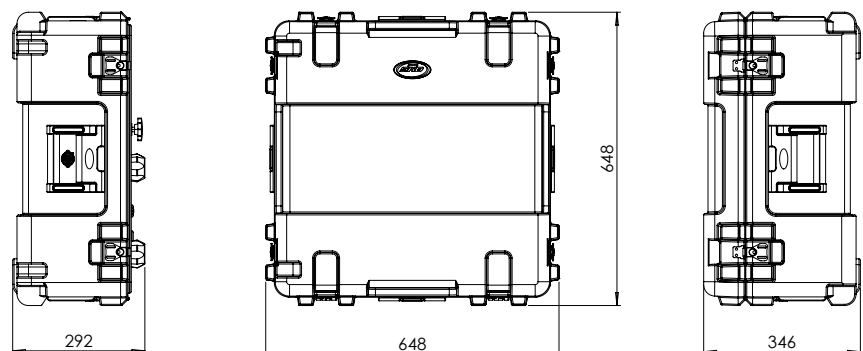
BOREAS-C3 | Diver Air Panel in ruggedized case up to 2 Divers.

The BOREAS-C3 is an **IMCA compliant** dive panel built in a ruggedized case. It supports 2 divers that each have an independent high-pressure input. A low-pressure input is a shared backup for both divers. Depth monitoring can be done with two 6" gauges. The panel also has a low-pressure alarm that will sound when the diver's pressure is too low. Both divers have a separate sample point that is already set at 1.5 bar and 1 L/min. The airflow is tightly controlled with stainless steel check valves to prevent any unwanted airflow direction.



Specifications:

| | |
|------------|--------------|
| SKU code | DP-2D2H1L-C3 |
| Divers | 2 |
| HP input | 2 |
| LP input | 1 |
| Crossing | - |
| 6" Gauge | 2 |
| Panel size | 550 x 550 mm |
| Design | Case |
| Height | 648 mm |
| Width | 648 mm |
| Depth | 346 mm |
| Weight | 30 kg |



website link : <https://www.novasub.com/product/boreas-c3-portable-2-divers-2-hp-1-lp-air-panel/>
 product video : <https://www.youtube.com/channel/UCRqqqmJy8O7XEabp7S1rpQ>

DP-2D2H1L-C3C Diving Air Panel C4

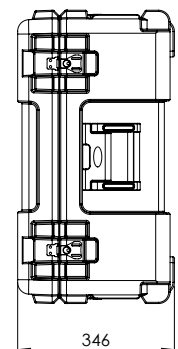
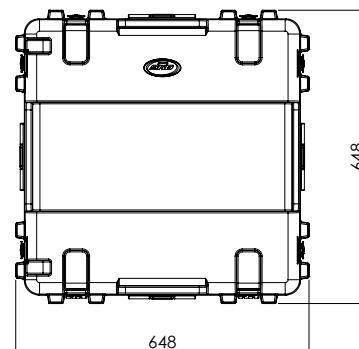
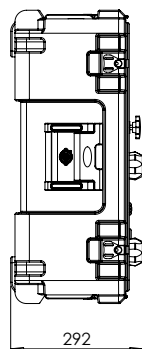
BOREAS-C4 | Diver Air Panel in ruggedized case up to 2 Divers.

The BOREAS-C4 is an **IMCA compliant** dive panel built in a ruggedized case. It supports 2 divers that each have an independent high-pressure input. A low-pressure input is a shared backup for both divers. The panel also has crossing between diver 1 and diver 2. Depth monitoring can be done with two 6" gauges. The panel also has a low-pressure alarm that will sound when the diver's pressure is too low. Both divers have a separate sample point that is already set at 1.5 bar and 1 L/min. The airflow is tightly controlled with stainless steel check valves to prevent any unwanted airflow direction.



Specifications:

| | |
|------------|---------------|
| SKU code | DP-2D2H1L-C3C |
| Divers | 2 |
| HP input | 2 |
| LP input | 1 |
| Crossing | D1 ⇌ D2 |
| 6" Gauge | 2 |
| Panel size | 550 x 550 mm |
| Design | Case |
| Height | 648 mm |
| Width | 648 mm |
| Depth | 346 mm |
| Weight | 30 kg |



website link : <https://www.novasub.com/product-categorie/diver-gas-panels/>

product video : <https://www.youtube.com/channel/UCRqqqmJy8O7XEabp7S1rpQ>

DP-3D3H1L-C1 Diving Air Panel C12

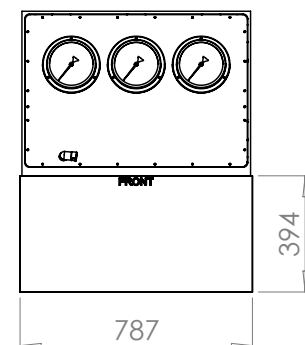
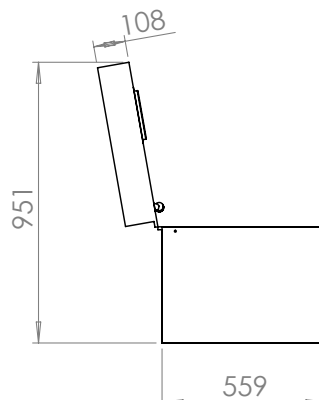
BOREAS-C12 | Diver Air Panel in ruggedized case up to 3 Divers

The BOREAS-C12 is an **IMCA compliant** dive panel built in a ruggedized case. It supports 3 divers that each have an independent high-pressure input. A low-pressure input is a shared backup for all divers. Depth monitoring can be done with three 6" gauges located in the lid. The panel also has a low-pressure alarm that will sound when the diver's pressure is too low. All divers have a separate sample point that is already set at 1.5 bar and 1 L/min. The airflow is tightly controlled with stainless steel check valves to prevent any unwanted airflow direction.



Specifications:

| | |
|------------|--------------|
| SKU code | DP-3D3H1L-C1 |
| Divers | 3 |
| HP input | 3 |
| LP input | 1 |
| Crossing | - |
| 6" Gauge | 3 |
| Panel size | 520 x 750 mm |
| Design | Case |
| Height | 559 mm |
| Width | 787 mm |
| Depth | 502 mm |
| Weight | 63 kg |



website link : <https://www.novasub.com/product-categorie/diver-gas-panels/>

product video : <https://www.youtube.com/channel/UCRqqqmJy8O7XEabp7S1rpQ>

DP-3D3H1L-C1 Diving Air Panel C12



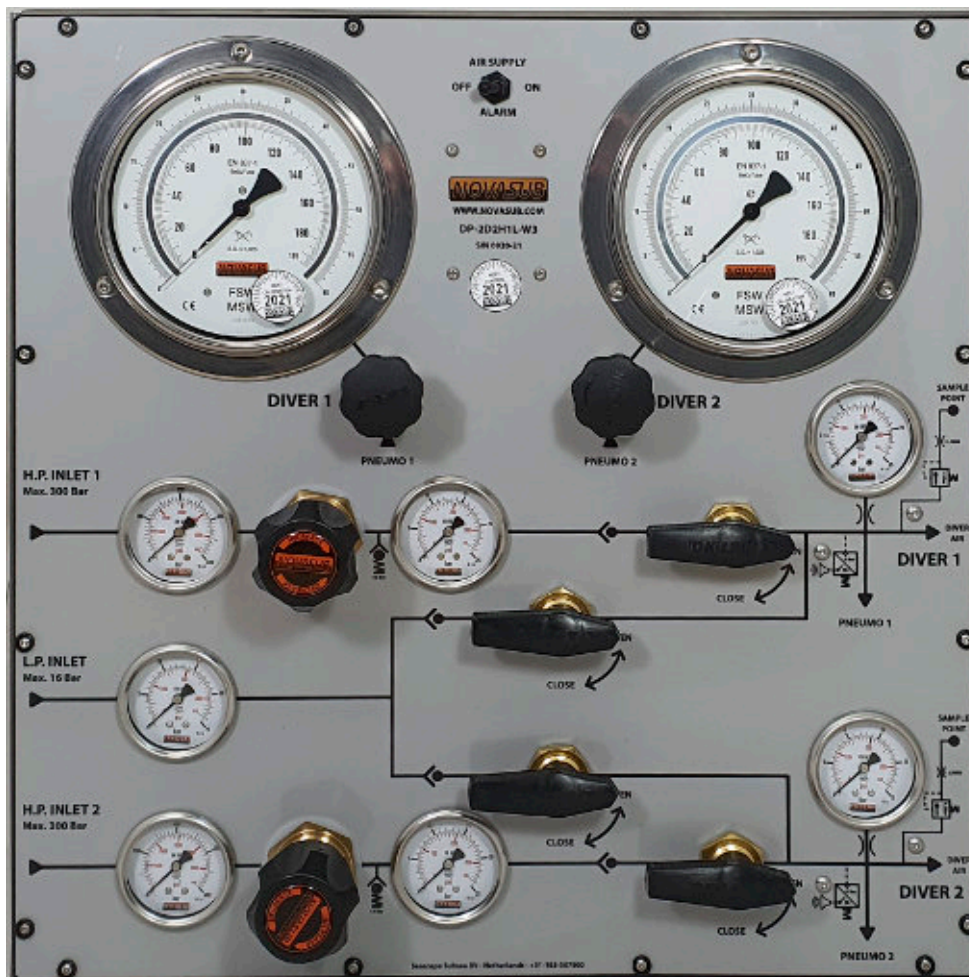
website link : <https://www.novasub.com/product-categorie/diver-gas-panels/>

product video : <https://www.youtube.com/channel/UCRqqqmJy8O7XEabp7S1rpQ>

DP-2D2H1L-W3 Diving Air Panel W3

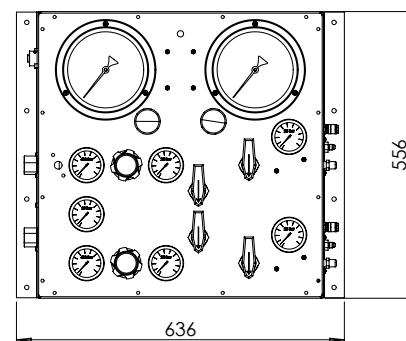
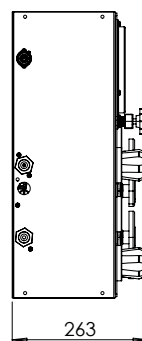
BOREAS-W3 | Diver Air Panel for wall mount up to 2 Divers.

The BOREAS-W3 is an **IMCA compliant** dive panel built in an aluminum housing attached to a wall. It supports 2 divers that each have an independent high-pressure input. A low-pressure input a shared backup for both divers. Depth monitoring can be done with two 6" gauges. The panel also has a low-pressure alarm that will sound when the diver's pressure is too low. Both divers have a separate sample point that is already set at 1.5 bar and 1 L/min. The airflow is tightly controlled with stainless steel check valves to prevent any unwanted airflow direction.



Specifications:

| | |
|------------|--------------|
| SKU code | DP-2D2H1L-W3 |
| Divers | 2 |
| HP input | 2 |
| LP input | 1 |
| Crossing | - |
| 6" Gauge | 2 |
| Panel size | 550 x 550 mm |
| Design | Wall |
| Height | 556 mm |
| Width | 636 mm |
| Depth | 263 mm |
| Weight | 36 kg |



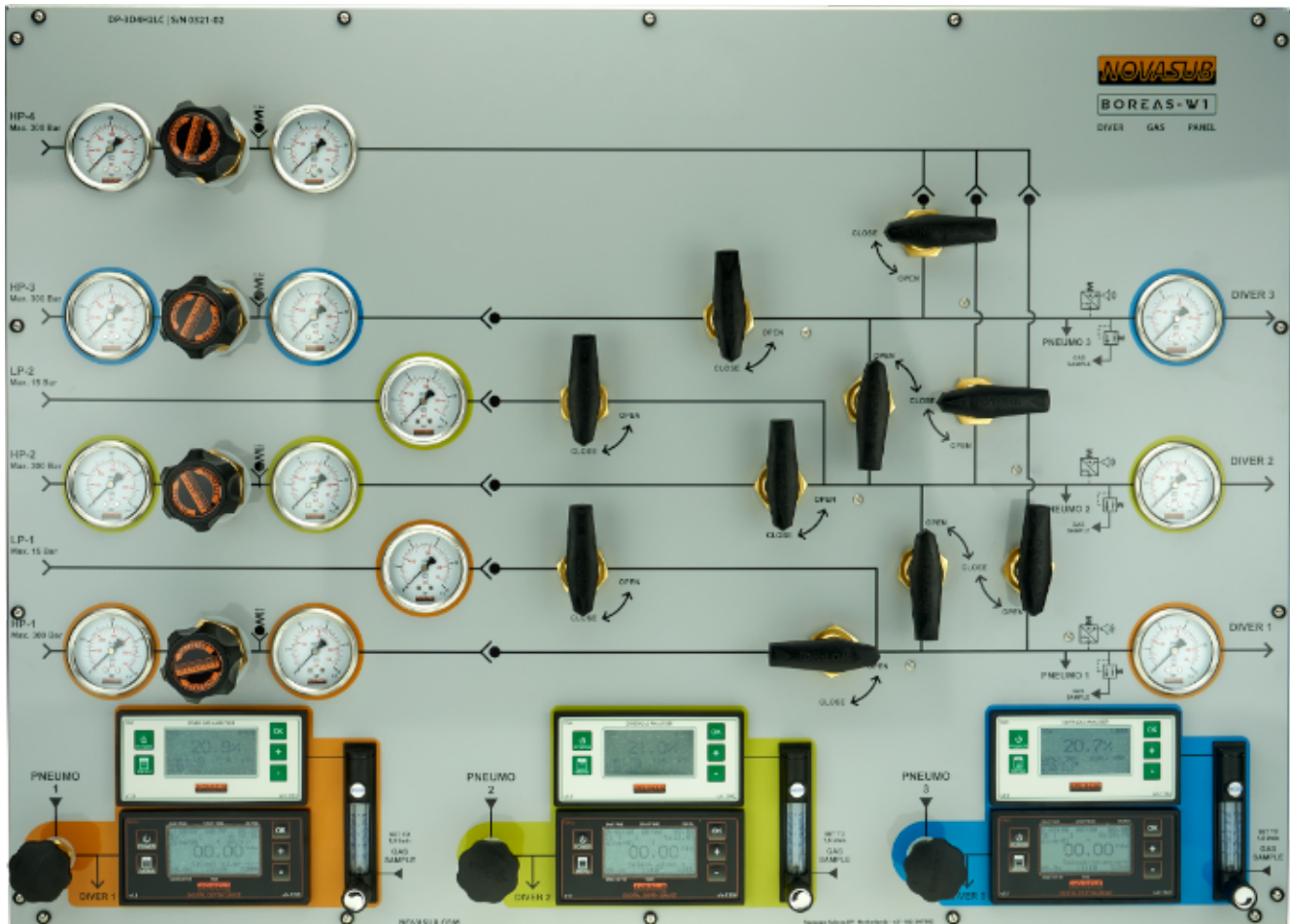
website link : <https://www.novasub.com/product/boreas-w3-wallmount-2-divers-2-hp-1-lp-air-panel/>

product video : <https://www.youtube.com/channel/UCRqqqmJy8O7XEabp7S1rpQ>

DP-3D4H2LC-W1 Diving Air Panel W1

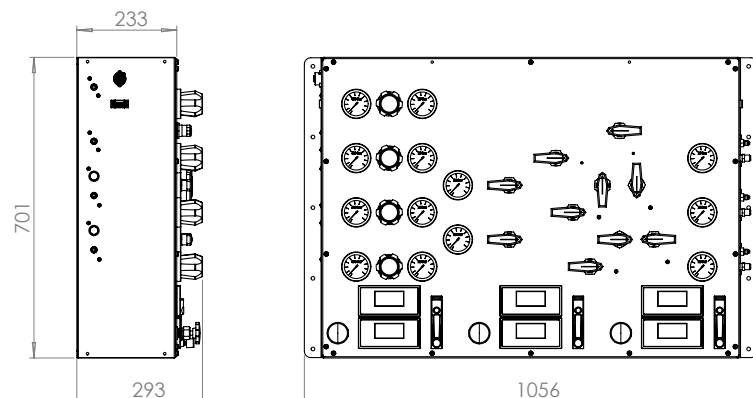
BOREAS-W1 | Diver Air Panel for wall mount up to 3 Divers.

The BOREAS-W1 is an **IMCA compliant** dive panel built in an aluminum housing attached to a wall. It supports 3 divers that each have an independent high-pressure input. An extra high-pressure input is a shared backup for all divers. Diver 1 and 2 also have a independent low-pressure backup. Depth monitoring can be done with three Digital Depth Gauges (DDG). The air quality to the diver can be monitored with three Diver Gas Analyzers (DGA). The panel also has a low-pressure alarm that will sound when the diver's pressure is too low. The airflow is tightly controlled with stainless steel check valves to prevent any unwanted airflow direction.



Specifications:

| | |
|------------|---------------|
| SKU code | DP-3D4H2LC-W1 |
| Divers | 3 |
| HP input | 4 |
| LP input | 2 |
| Crossing | D1 ⇌ D2 ⇌ D3 |
| DDG | 3 |
| DGA | 3 |
| Panel size | 695 x 970 mm |
| Design | Wall |
| Height | 701 mm |
| Width | 1056 mm |
| Depth | 233 mm |
| Weight | 60 kg |



website link : <https://www.novasub.com/product/boreas-w3-wallmount-2-divers-2-hp-1-lp-air-panel/>

product video : <https://www.youtube.com/channel/UCRqqqmJy8O7XEabp7S1rpQ>

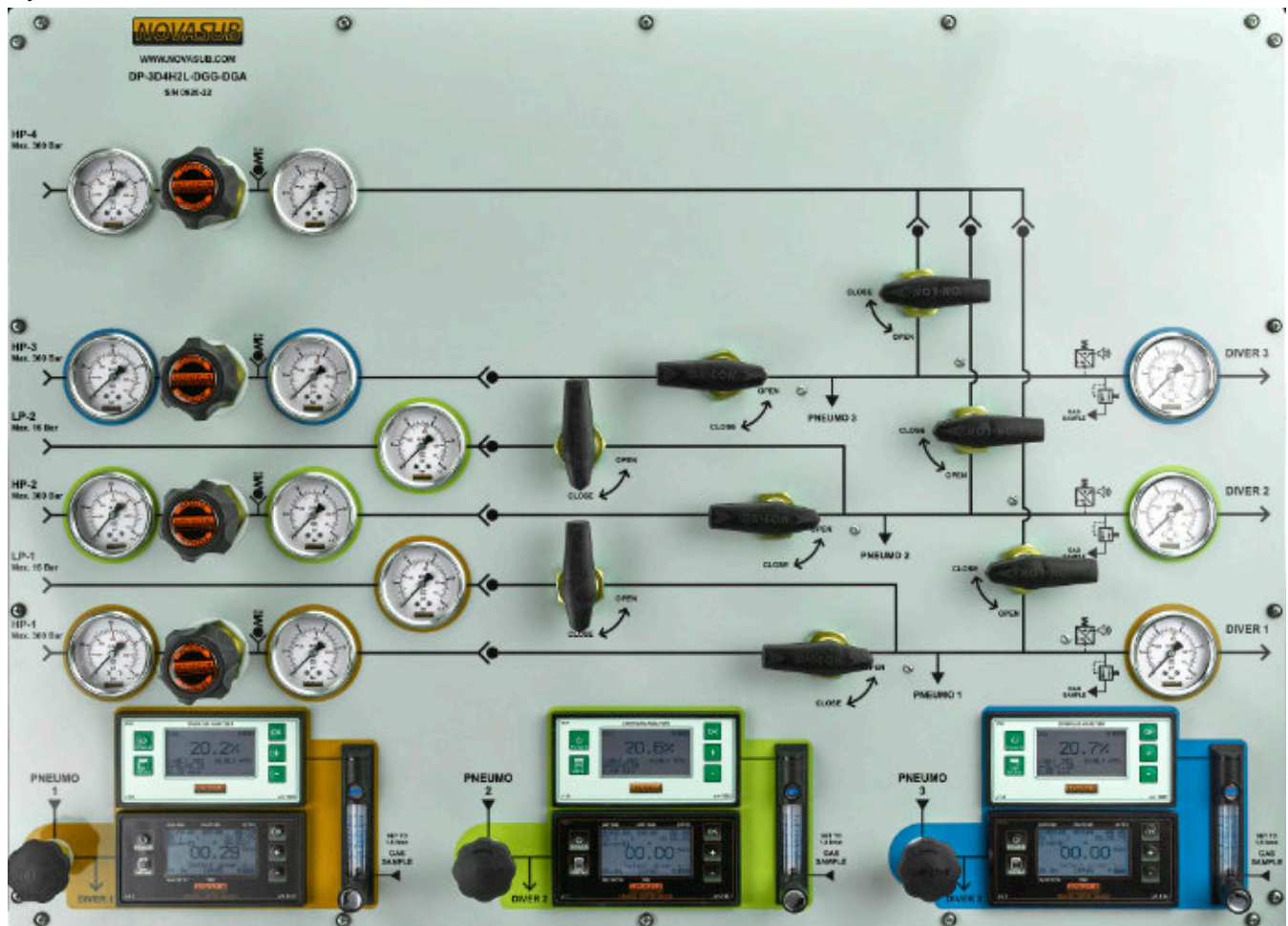
DP-3D4H2LC-W1 Diving Air Panel W1

website link : <https://www.novasub.com/product/boreas-w3-wallmount-2-divers-2-hp-1-lp-air-panel/>
 product video : <https://www.youtube.com/channel/UCRqqqmJy8O7XEabp7S1rpQ>

DP-3D4H2L Diving Air Panel R1

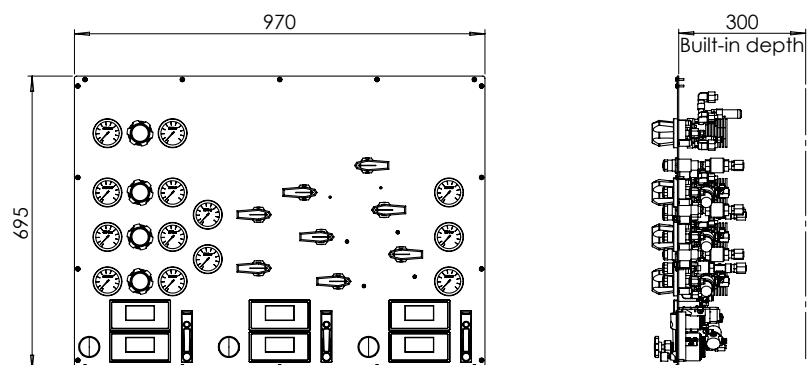
BOREAS-R1 | Diver Air 19" Rack Mount up to 3 Divers.

The BOREAS-R1 is an **IMCA compliant** dive panel built as a loose panel. This panel is used in the PROTEUS-W1. It supports 3 divers that each have an independent high-pressure input. A extra high-pressure input is a shared backup for the 3 dives. Diver 1 and 2 also have a independent low-pressure backup. Depth monitoring can be done with three Digital Depth Gauges (DDG). The air quality to the diver can be monitored with three Diver Gas Analyzers (DGA). The panel also has a low-pressure alarm that will sound when the diver's pressure is too low. The airflow is tightly controlled with stainless steel check valves to prevent any unwanted airflow direction.



Specifications:

| | |
|------------|--------------|
| SKU code | DP-3D4H2L |
| Divers | 3 |
| HP input | 4 |
| LP input | 2 |
| Crossing | - |
| 6" Gauge | - |
| DDG | 2 |
| DDA | 2 |
| Panel size | 695 x 970 mm |
| Design | 19" Rack |
| Height | 695 mm |
| Width | 970 mm |
| Depth | 300 mm |
| Weight | 19 kg |



website link : <https://www.novasub.com/product/boreas-r1-panelmount-3-divers-4-hp-2-lp-air-panel/>

product video : <https://www.youtube.com/channel/UCRqqqmJy8O7XEabp7S1rpQ>

DP-xDxHxL Diving Air Panel BOREAS-R1 incorporated in PROTEUS-W1



BOREAS-R1
dive panel

THALLASA-R2
touchscreen monitor

THALLASA-R2
touchscreen monitor

spare 3U

spare 1U

KRATOS-R1
video & light control

THALLASA-R1
diver video recorder

THETIS-R1
diver radio

VHF Radio

DVR USB + custom connectors

K400 Wireless Keyboard



DP-xDxHxL Diving Air Panel | General Specifications

| System | Description | Type / Parts |
|----------------------------|--|---|
| Control | | |
| Open/Close | Selection | 2-way ball valve |
| | Crossing | 2-way ball valve |
| | Pneumo | Needle valve |
| Regulation | HP to LP Reducer | Reducer 0-300 / 0-17 bar |
| | Flow Rate | 2500 lpm at 50 Bar input & 15 Bar output |
| Safety | Low pressure relief valve | 16 bar |
| | Check valves | |
| Monitoring | | |
| Diver | LP pressure | 2 ½" gauge 0-25 bar cl 1.6 |
| | Depth | 4" gauge 0-70 MSW & 0-230 FSW cl 0.25 |
| | | 6" gauge 0-60 MSW & 0-200 FSW cl 0.25 |
| Inlet | HP pressure | 2 ½" gauge 0-400 bar cl 1.6 |
| | LP pressure | 2 ½" gauge 0-25 bar cl 1.6 |
| Audio Alarm | Low pressure diver air supply, set to 5.5 bar | Battery powered, minimal runtime 72 hours |
| Connectors | | |
| Recharge Alarm | CCA3GS | Supplied with adapter 100-240 VAC to 12 VDC |
| Working Temperature | | |
| Environment | -10°C to 50°C | |
| Materials | | |
| Case | HDPE | |
| Plate | Epoxy coated Aluminium | |
| Reducer | Brass | |
| Gauges | Stainless Steels & Safety Glass | |
| Valves | Brass / Stainless Steel | |
| Fittings | Brass / Stainless Steel | |
| Piping | Stainless Steel | |
| Manifolds | Brass | |
| Inlets | | Rack |
| HP inlet | 1/4" NPT, standard supplied with DIN G5/8" 300 bar | 8L Compression pipe fitting |
| LP inlet | 1/2" NPT, max 15 bar | 12L /15L Compression pipe fitting |
| Outlets | | Rack |
| Diver Air Supply | 1/4" NPT, standard supplied with JIC06 Coupling | 12L Compression pipe fitting |
| Diver Pneumo | 1/4" NPT, standard supplied with JIC04 Coupling | 8L Compression pipe fitting |
| Gas Sample | MIGNON D5, set to 1.5L/min @ 1 bar | |

NOVASUB Available products that can be used in combination with BOREAS :

THALLASA-C1**VIDEO RECORDER****THETIS-C1****DIVER RADIOS****TRITON-C1****DIVER COMMUNICATION & VIDEO RECORDER****ARGOS****CAMERAS****HELIOS****LIGHTS****UDS****Depth Sensor****DUx****UMBILICALS**