

DUR05-ND Diver Umbilical

DUR05-ND | Multipurpose Diver Umbilical with Gas Hose, Pneumo & Cable

The DUR05-ND is a multipurpose umbilical that can be deployed in a wide variety of activities. The umbilical consists of a Gas hose, a Pneumo hose and a newly developed data cable (CDUR05). This data cable can be used for comms (2- or 4-wire), Video (Coax or/and Twisted Pair), light and sensor data. The umbilical is the first to have both a Coax and a Twisted pair for a video signal, which makes it compatible with both types of underwater cameras.

The DUR05-ND is flexible umbilical that is very hard to kink, this makes it an extra safe umbilical for divers. The umbilical floats in fresh and seawater with the pneumo hose filled with air. It will sink when the pneumo hose is filled with water.

The umbilicals can be terminated as specified by the client. The umbilical can be configured with or without a pneumo hose.



Configurations:



DUR05-ND
With pneumo hose



DUR05-ND1
Without pneumo hose

Features:

- Positive buoyant
- Cable kevlar reinforced
- Low priced
- Comms, video, light and data over 1 cable

Applications:

- Commercial Diving

website link : <https://www.novasub.com/product/dur05-nd-diver-umbilical/>

product video : <https://www.youtube.com/channel/UCRqqqmJy8O7XEabp7S1rpQ>

DUR05-ND Diver Umbilical

Specifications : UMBILICAL

NAME	DUR05-ND	DUR05-ND1
Pneumo Hose	1/4" NovaDive	-
Gas Hose	3/8" NovaDive	
Cable	Novasub CDUR-05	
Termination		
Surface		
GasHose	Standard: JIC6 Swivel Optional: any other type	
Pneumo	Standard: JIC4 Swivel Optional: any other type	-
Cable	Standard: UTS Multipin Optional: any required connector(s)	
Diver		
Gas Hose	Standard: JIC6 Swivel Optional: any other type	
Pneumo Hose	Standard: Open End Optional: JIC4	-
Cable :		
Comms	Standard: RMG-4-FS Optional: SCIL4F or any other type	
Camera	Standard: MCIL4F Optional: any other type	
Light	Standard: MCIL2F Optional: any other type	
Depth sensor	Standard: MCIL3F Optional: any other type	
Size		
Nominal overall diameter	32 mm	31 mm
Weight in Air	497 g/m	394 g/m
Weight in Seawater	-31 g/m	-8 g/m
Weight in Fresh water	-17 g/m	-2 g/m
Minimum Static bending radius	> 160 mm	> 155 mm
Minimum Dynamic bending radius	> 320 mm	> 310 mm

Specifications : Hoses

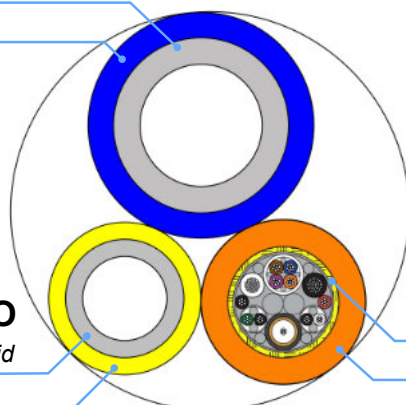
NAME	3/8" NovaDive	1/4" NovaDive
Color	Blue	Yellow
Material outer jacket	Hydrolysis UV resistant polyurethane	Hydrolysis UV resistant polyurethane
Outside Diameter	18,50 mm	12,50 mm
Inside Diameter	9,10 mm	6,35 mm
Working pressure	35 bar	35 bar
Burst pressure	276 bar	172 bar
Minimum bending radius	121 mm	82 mm
Weight	228 g/m	100 g/m

Intersection UMBILICAL

AIR

Strength braid
Outer jacket

PNEUMO
Strength braid
Outer jacket

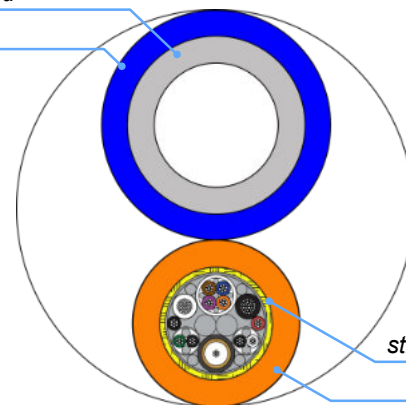


DUR05-ND

AIR

Strength braid
Outer jacket

DATA
strength member
Outer jacket



DUR05-ND1

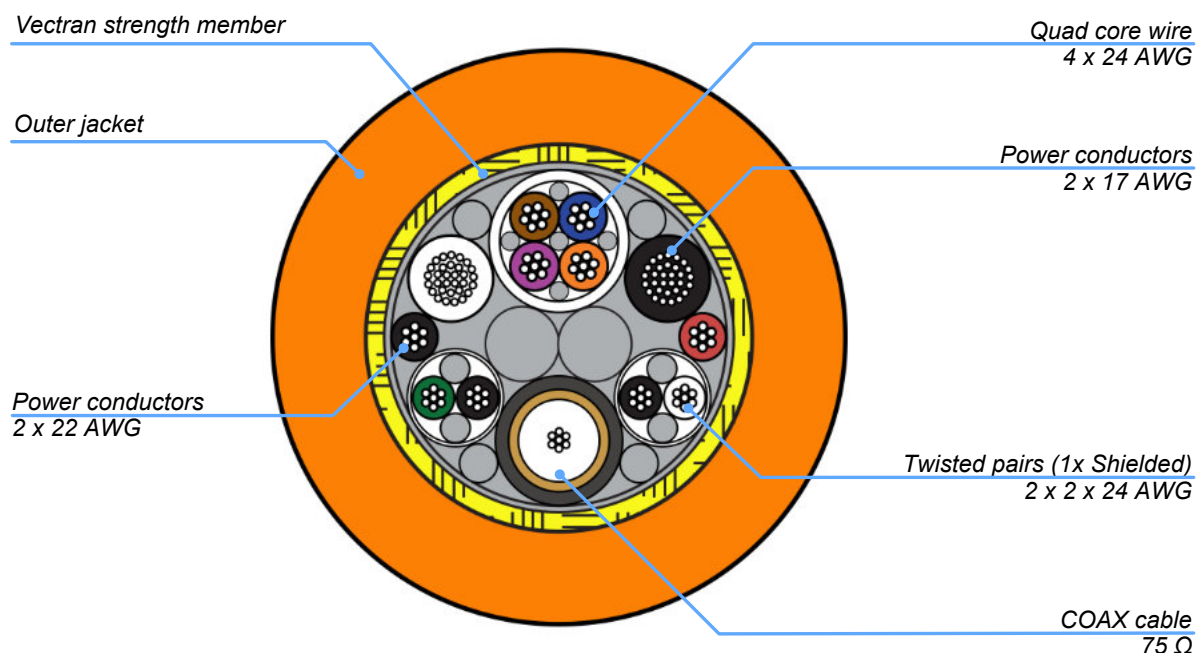
DUR05-ND Diver Umbilical

The DUR05-ND is equipped with the CDUR-05 cable. This cable has 2 shielded twisted pairs, 4 wires, a coax cable and a Quad core. That means that the cable can be used simultaneously for 4-wire Comms, Video, light, and a depth sensor! It also support both unbalanced (COAX) as balanced (Twisted Pair) camera's. This ensures that your diver is fully equipped for the task ahead.

Specifications : DATA CABLE CDUR-05

NAME	CDUR-05
Conductors	2 x 1,0 mm ² (2 x 17 AWG) <i>Power Conductors</i>
	2 x 0,34 mm ² (4 x 22 AWG) <i>Power Conductors</i>
	2 x 0,22 mm ² (2 x 24 AWG) <i>Twisted shielded Pair</i>
	2 x 0,22 mm ² (2 x 24 AWG) <i>Twisted Pair (100 Ω)</i>
	4 x 0,22 mm ² (4 x 24 AWG) <i>Quad Core</i>
Strength member	1x COAX (75 Ω)
Outer jacket	Vectran fiber braid
Outside diameter	Orange hydrolysis UV resistant polyurethane (1,7 mm)
	Ø 12,5 mm
Electrical resistance conductors 24 AWG	< 88,67 Ω/km @ 20°C
Electrical resistance conductors 22 AWG	< 56,75 Ω/km @ 20°C
Electrical resistance conductors 17 AWG	< 20,95 Ω/km @ 20°C
COAX impedance	75 Ω
Unshielded twisted pair impedance	100 Ω ± 10
Working voltage 17 AWG	250 V
Working voltage 22 AWG	250 V
Working voltage 24 AWG	300 V
Weight in air	157 g/m
Weight in fresh water	34 g/m
Weight in sea water	31 g/m
Breaking strength	1000 kg
Working load max.	250 kg
Minimum Static bending radius	65 mm
Minimum Dynamic bending radius	130 mm
Operating temperature	-30°C - +80 °C
Length available up to	1000 m

Intersection DATA CABLE



NOVASUB Available products that can be used in combination with UMBILICALS :

THETIS



DIVER RADIO

THALLASA



VIDEO RECORDER

TRITON



DIVER COMMUNICATION & VIDEO RECORDER

DLRx & CDURx



CABLES
for video & comms

ARGOS



CAMERAS

HELIOS



LIGHTS

HERMES



COMMS

UDS



Depth Sensor

ACCESSORIES Compatible with UMBILICALS :

UB-1



WALL MOUNTED UMBILICAL BRACKET

NSUR470-700



STANDING REEL

NSURHR1-60M



WALL MOUNTED REEL

HDPE SPIRAL



FLEETER



MOLD

