

## SCC-2DR-DSP-L1.0 Portable 2 Diver Radio

### THETIS-C2 | Portable self-contained case with two diver radio

The THETIS-C2 is a simpler version of the THETIS-C1, to reduce the cost for the client. The THETIS-C2 is a self-contained portable, Two diver Intercom for a 2- or 4- wire communication between the operator (Tender) and divers. It is integrated into a rugged case with high-grade connectors. The case has a built-in battery that is charged when you are connected to an external power supply.



#### THETIS-C2 is configured with :

NOVASUB xDR-DSP self-contained diver intercom that supports communication between a tender and 2 to 4 divers.

#### Features:

- Compact
- Ruggedized
- Digital Signal Processing
- Compatible with any FFM or Helmet comms

#### Applications:

- Commercial Diving

website link : <https://www.novasub.com/product/thetis-c2-portable-diver-radio/>

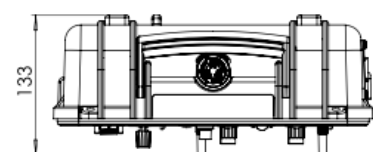
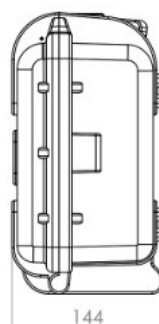
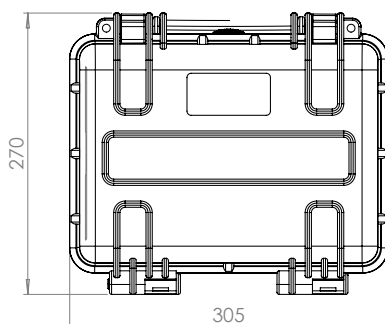
product video : <https://www.youtube.com/channel/UCRqqqmJy8O7XEabp7S1rpQ>

## SCC-2DR-DSP-L1.0 Portable 2 Diver Radio

### Specifications :

System	Description	Type / Parts
Name	SCC-2DR-DSP-L1.0	
Channels	2x	
xDR	Yes	G4
<b>Connectors</b>		
Comms	2x	4x Banana for each channel
External Speaker	1x	2x Banana binding posts
Power	1x, 100-240Vac	C14
<b>Wired Headset :</b>		
<i>Multipin</i>	1x, With Earphone, Mic & PTT	Lumberg 0271-07
<i>Earphone</i>	1x	Jack 3.5mm (Mono/Stereo)
<i>Mic</i>	1x	Jack 3.5mm (Mono)
Audio Out	2x	RCA
Aux In	1x	Jack 3.5mm (Mono/Stereo)
<b>Battery</b>		
Run time	8 hours	
Charging time	3 hours	
<b>Size</b>		
Length		305 mm
Width		270 mm
Height		144 mm
Weight		4.1 kg

Dimensions ( mm )



## xDR-DSP xDR-DSP Diver Intercom with Digital Signal Processing (DSP)

### Self-contained Diver Intercom that supports communication between a tender and 2 to 4 divers

NOVASUB xDR-DSP is a self-contained diver intercom that supports communication between a tender and 2 to 4 divers. It is an innovative system that includes in-house written software in combination with industrial hardware. Because of this software, the system has a massive amount of configurability. To achieve this it uses Digital Signal Processing (DSP).



#### Software:

This DSP makes the xDR-DSP an adjustable diver intercom in which you can, for example, select which channels you want to hear on an output or adjust its volume levels. The xDR-DSP can also operate in half duplex tender to diver as well as full duplex between divers (Round Robin). By default settings, the xDR-DSP will work as a standard 2 Diver intercom you will be used to.

#### Hardware:

The xDR-DSP is equipped with a 2 line translatable display. This display is used to scroll through the menu and adjust the required settings. The xDR-DSP is always equipped with push to talk buttons, Volume control and a microphone connection. The audio in- and outputs can be configured as needed.

#### Features:

- Fully audio configurable, select on each Diver, Tender and output what it may hear
- Each Diver, input and output has a gain level adjustment
- Separate amplifiers for Divers, Internal speaker and External speakers
- Transformer Isolated on all Divers, inputs and outputs
- 3,5 mm jacks to connect any media / gaming headset with mic

Input Impedance (Each Input)	250 Ohms	Headset Mic Sensitivity	159 mVpp
Frequency Response	300 - 10000 Hz	Inputs audio (Aux&DVR in)	2,82 Vpp
Common Mode Rejection	40 dB Minimum	Outputs Audio (Rec, Out & Aux)	2,82 Vpp
Power Drain	0.2 – 0.5 Ah (12v)	Headset speaker	
Output Impedance	4 Ohm	Diver Output Power (RMS @ 4 Ohm Load, 12 Vdc)	7 watt audio
Diver Mic Sensitivity (Input)	15 mVpp	Speaker Output Power (4 Ohm)	15 watt audio
		Inputs and outputs Isolation	Transformer galvanic Isolated

### ACCESSORIES Compatible with THETIS-C2

NSHEADSET5



**Single Ear Headset**  
with dual Jack  
(Included with TRITON)

NSHEADSET1



**Headset with PTT**  
and noise cancellation

NSHEADSET4



**Heavy Duty Single Ear Headset**  
with PTT

NSHEADSET6



**Heavy Duty Double Ear Headset**  
with PTT

NSEXTSPK33



**Waterproof External Speaker**  
23 watt

TMIC3-2L



**Table Microphone**  
2 channels

HHMIC3-4L



**Handheld Microphone**

**NOVASUB** Available products that can be used in combination with THETIS :

### BOREAS



**DIVING AIR  
CASES & PANELS**

### ARGOS



**CAMERAS**

### HELIOS



**LIGHTS**

### HERMES



**COMMS**

### THALLASA



**VIDEO RECORDERS**

### DUx



**UMBILICALS**

### DLRx & CDURx



**CABLES**  
for video & comms